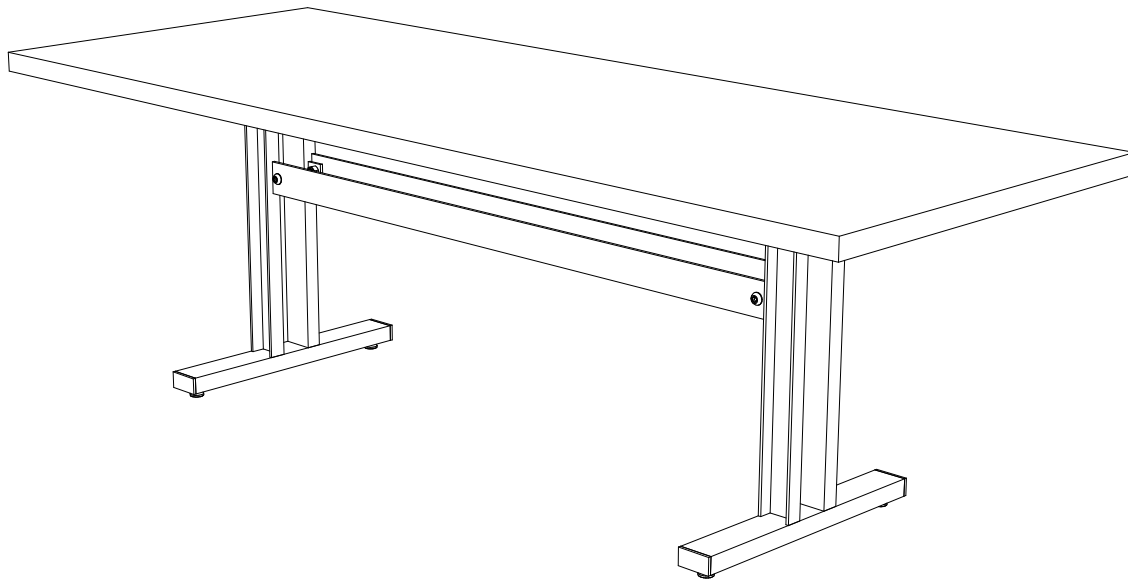


# INDUSTRIAL CONFERENCE TABLE

Assembly Instructions



## **Thank you for your purchase!**

This is uniquely and individually fabricated. For this reason, your furniture is pre-assembled and labeled before shipping. Labels are marked on the underside of the furniture. Most furniture is then deconstructed prior to shipping. Pieces that uniquely correspond can typically be found on the same pallet.

Assembly is best completed by keeping the pieces that correspond together. Clear your work area of anything that could scratch furniture surfaces. If possible, cover your work area with a clean, soft blanket. Carefully flip any wooden tops over and inspect the bottom sides for markings. Match legs, flat brackets, etc. to the appropriate labels.

If you need further assistance of any kind,  
please contact:

Iron Age Office Operations Manager

Henry Dover

888-442-8242

[hello@cubicles.com](mailto:hello@cubicles.com)

# HARDWARE

Screws are shown actual size. You may receive extra hardware with your unit.

①

14-10 LAG BOLT  
QTY: 16

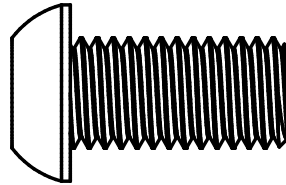
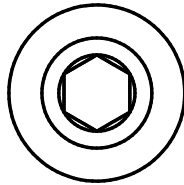


## Tools Required

#3 Square Drive

②

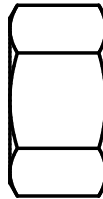
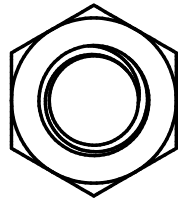
SCREEN BOLT  
QTY: 4



3/8 Hex Drive

③

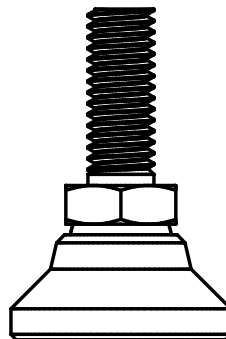
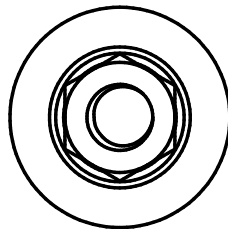
SCREEN NUT  
QTY: 4



15/16 Crescent Wrench

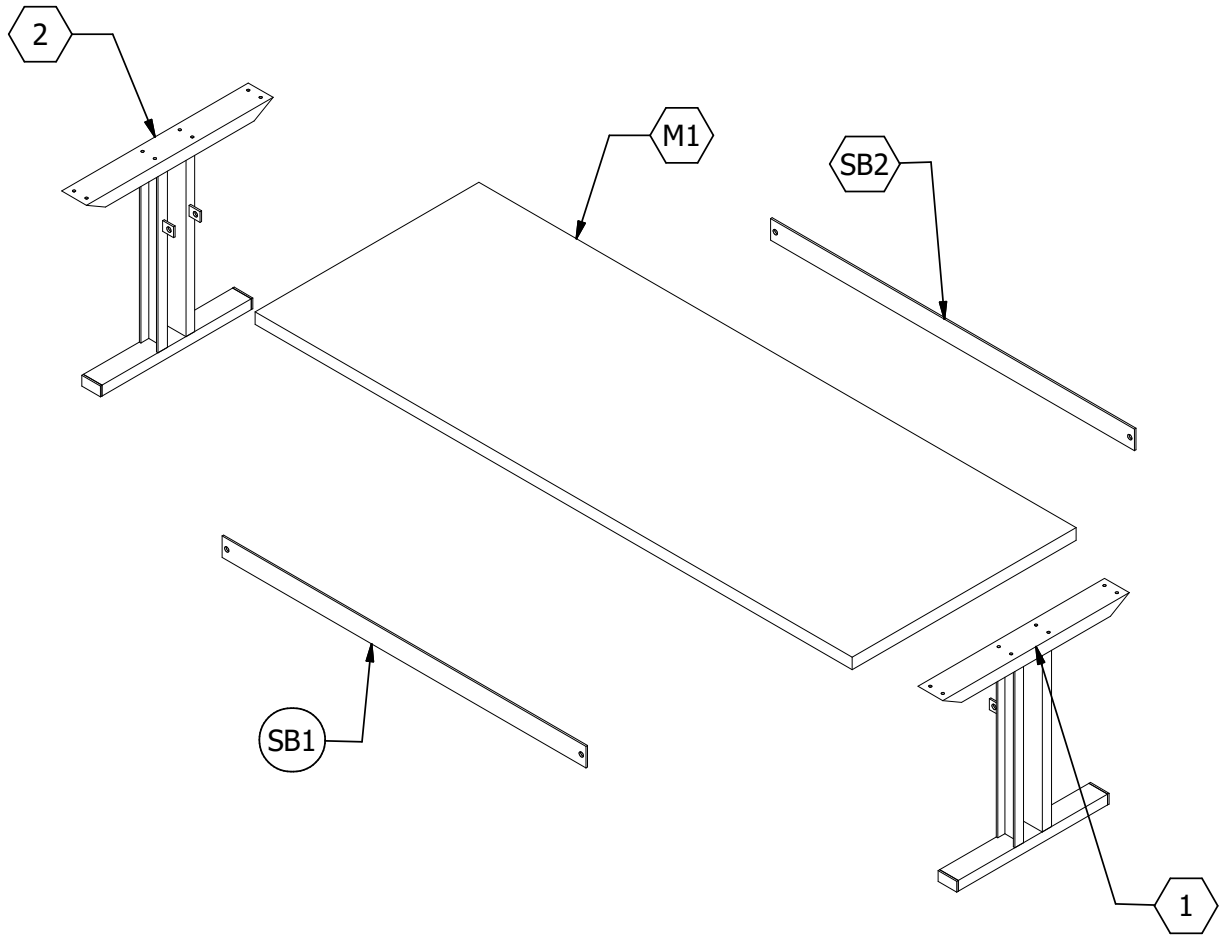
④



LEVELING FOOT  
QTY: 4



9/16 Crescent Wrench

# PARTS

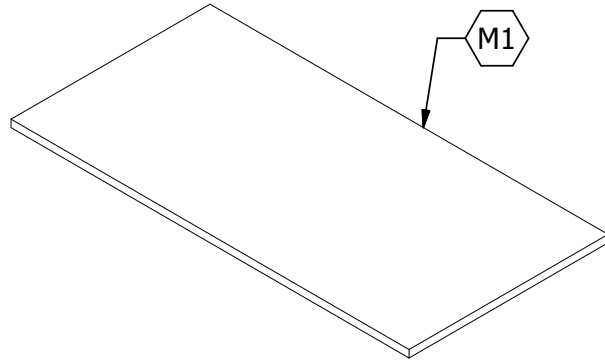


-  LEFT TABBED LEG
-  RIGHT TABBED LEG
-  MAIN TOP
-  SUPPORT BAR

# ASSEMBLY

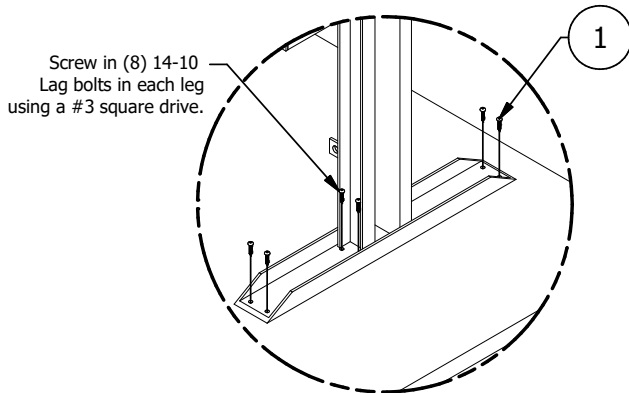
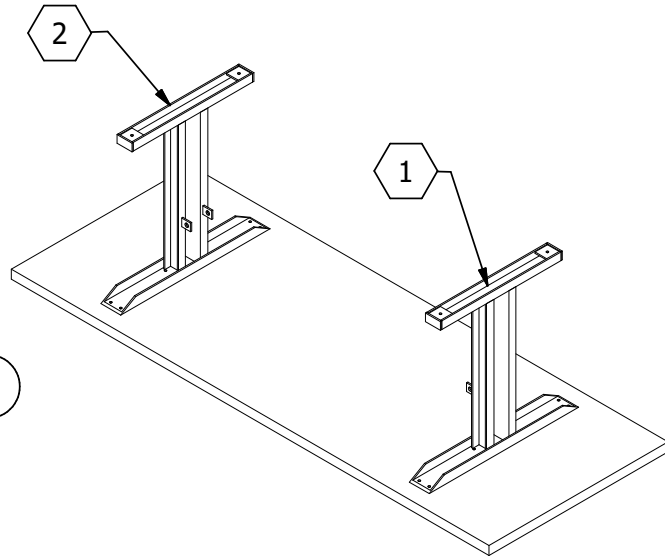
## STEP 1

Place M1 top face down on a clean surface.



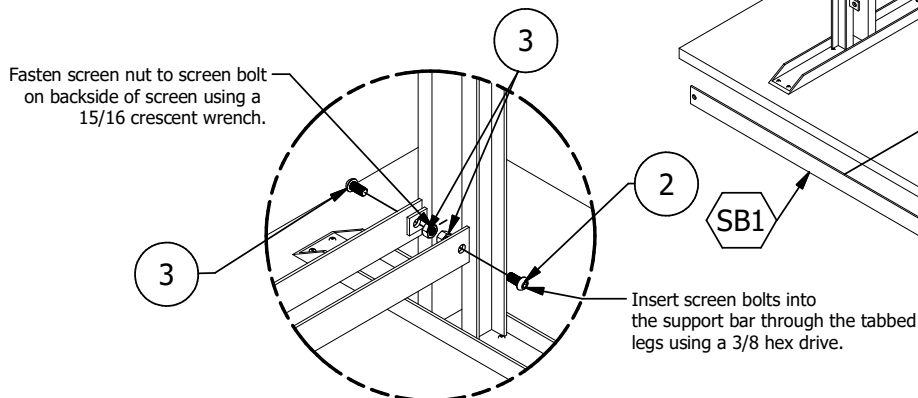
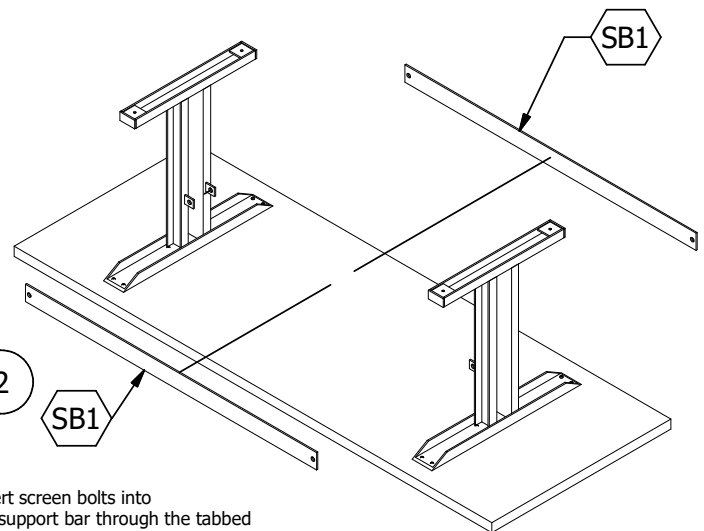
## STEP 2

Align legs using markings on the underside of the M1 top. Tabbed legs should be placed so that tabs are facing each other. Screw in all legs with (8) 14-10 lag bolts in each leg.



## STEP 3

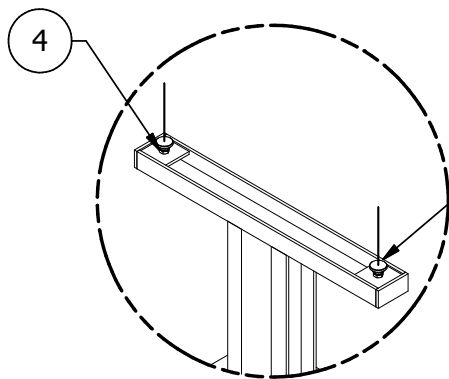
Align both support bars in between tabbed legs. Secure support bar with (2) screen bolts and (2) screen nuts in each support bar.



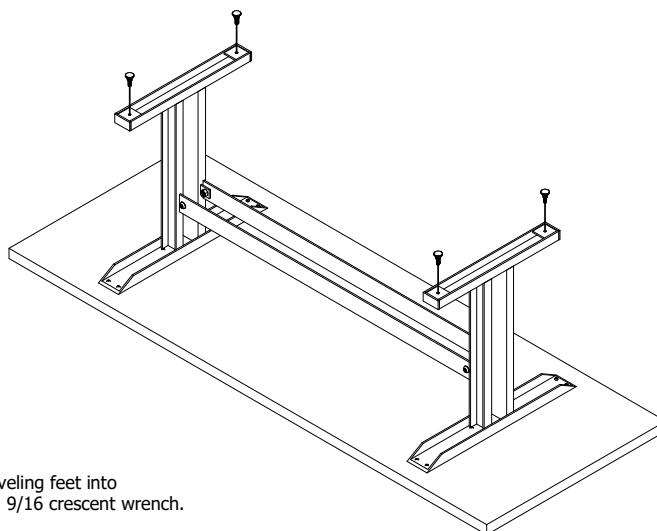
# ASSEMBLY

## STEP 4

Screw in (2) leveling feet in each leg.

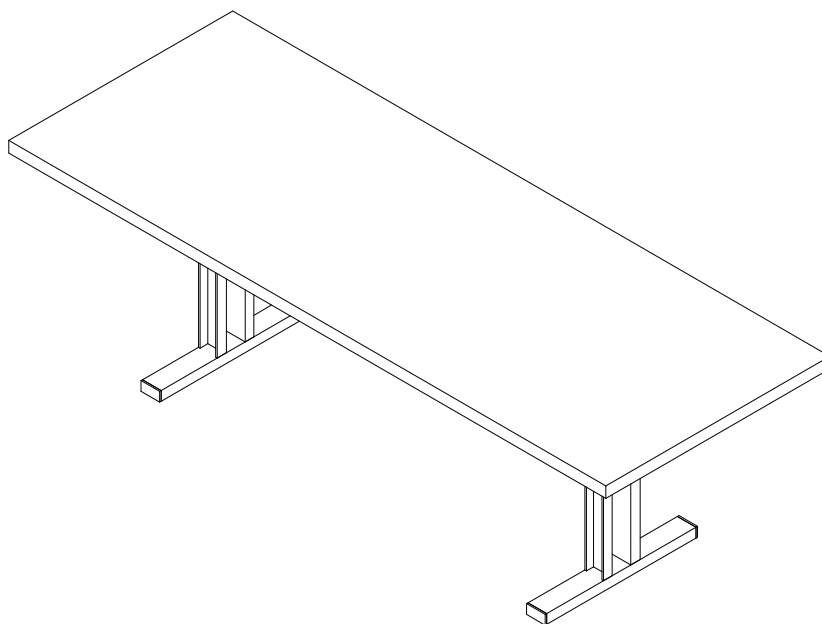


Screw in 2 leveling feet into each leg with 9/16 crescent wrench.



## STEP 5

Flip M1 into an upright position.  
Enjoy your table!



---

# CARE INSTRUCTIONS

To care for either wooden or metal surfaces of these products,  
gently wipe with a soft cloth dampened with water and a mild dishwashing liquid.  
Once satisfied, dry with a soft cloth.